

## Low Power E Series Starter

### Content introduced:

Combo PTC Starter :



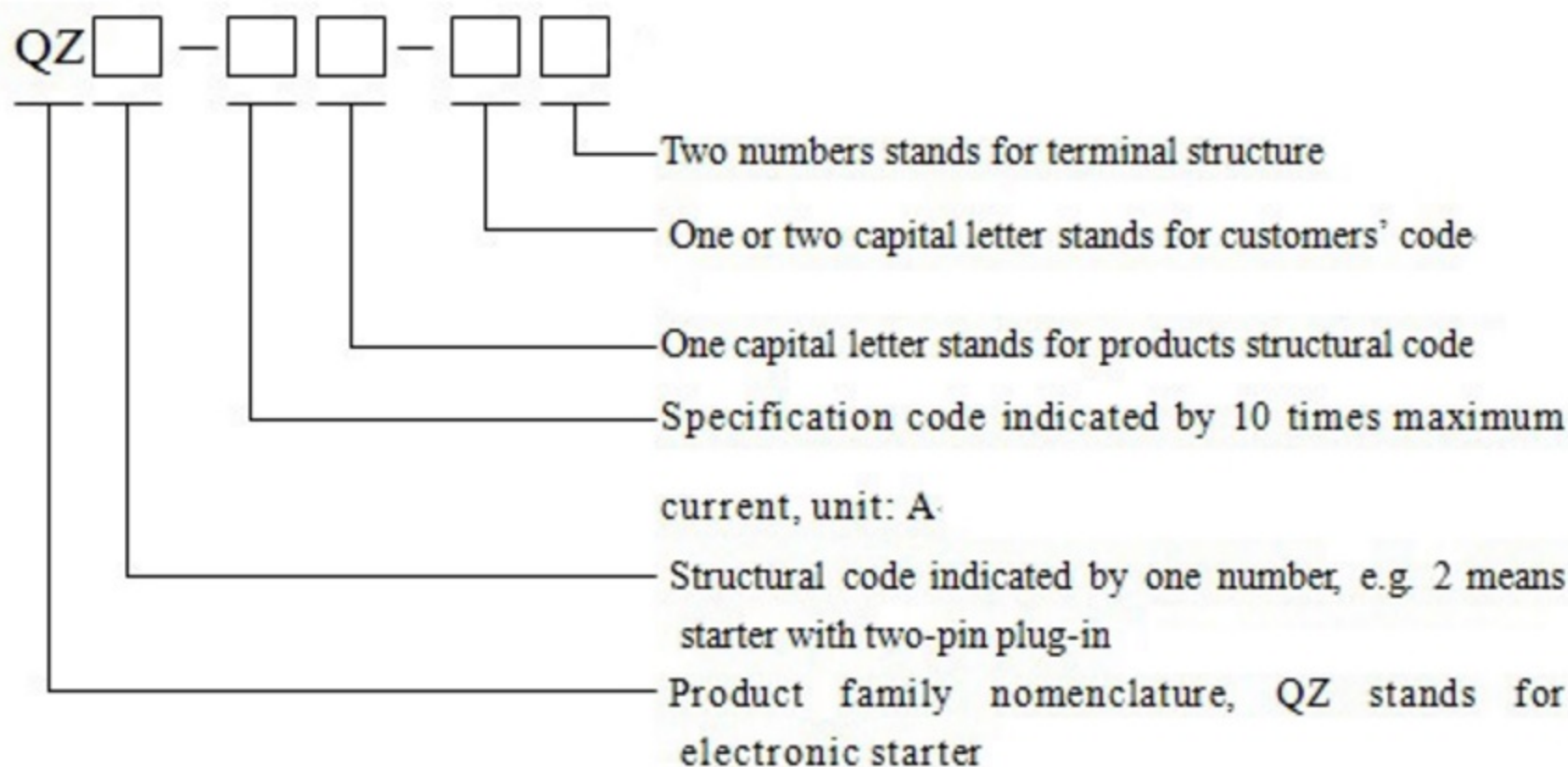
Monocoque PTC Starter:



### Application & Performance

This product is used as the electronic starter for the use of hermetic motor-compressor for household and the similar refrigeration appliances. QZ2 series electronic starter mainly consist inner PTC pill and electronic circuit board. It has the feature of low power consumption, equivalence, interchangeability and strong antijamming ability.

### Code System



### Working Features

Type	PTC Pill(Φ16mm) Ω	Max. Work Voltage (V)	Max. Work Current (A)	Opening Time (s)	Closing Time (s)	Power Consumption(W)	Insulation Resistance (MΩ)		Electric Strength	Cycle Life
QZ2-120	4.7±20%	180	12	0.4~3.5	<75	<0.4	Normalcy	Humidity	AC50Hz,1500V, 1min	Over 200,000 cycles
QZ2-80	15±20%	350	8	0.4~1.5	<85					
QZ2-70	22±20%	350	7	0.2~1.2	<75		≥500	≥100		
QZ2-60	33±20%	350	6	0.3~1.3	<60					

Remark: 1. Parametric tests is under 25℃ 2. Produce products according to customers' required parameter

### Ambient Conditions:

Safety Certificates: CQC、VDE。

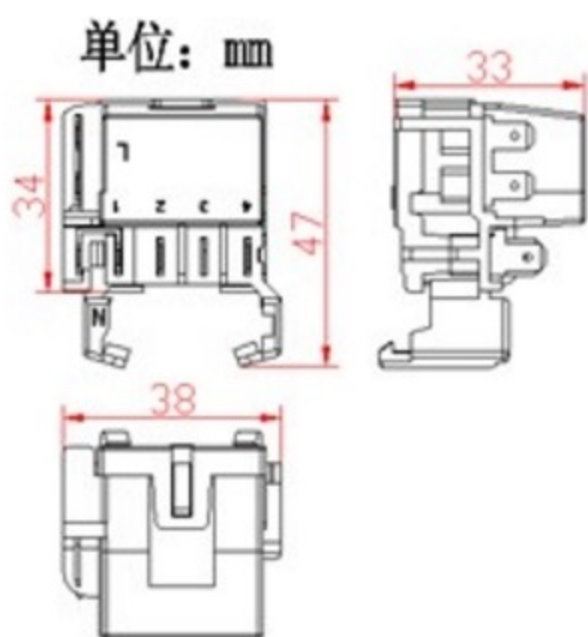
Weight: ≤40g

Ambient Temperature: -10℃~+43℃

Relative Humidity: ≤90% (25℃)

### Dimension:

(1) Combo PTC Starter dimension:



unit: mm

(2) Monocoque PTC Starter dimension:



unit: mm

Remark: terminal type 4.8×0.8mm or 6.3×0.8mm faston (produce products according to customers' requirements) .